



Home Generator Systems

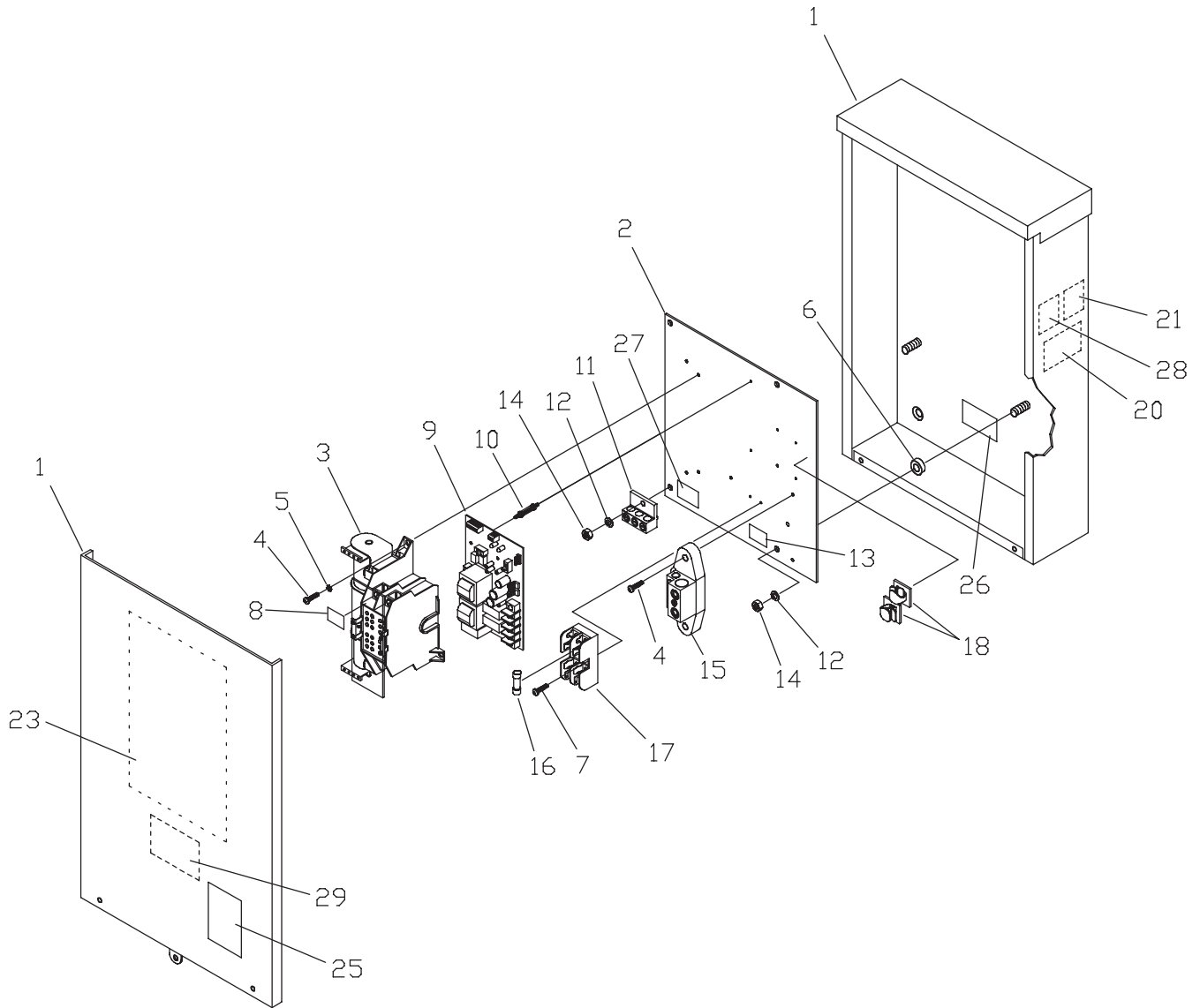
Illustrated Parts List



100 Amp Automatic Transfer Switch

Model 071018 Manual No. 201705A Rev. B (02/26/2008)

Exploded View - Model 071018



Copyright © 2007 Briggs & Stratton Power Products Group, LLC. All rights reserved. No part of this material may be reproduced or transmitted in any form by any means without the express written permission of Briggs & Stratton Power Products Group, LLC.

Illustrated Parts List - Model 071018

Item	Part #	Description
1	NSP	ENCLOSURE, 16" x 12" x 6"
2	NSP	BACK PANEL
3	195667GS	TRANSFER SWITCH, 100A, with Cover & Handle
4	*	PPHMS, #10 - 32 x 1/2"
5	*	WASHER, Ext. Tooth, #10
6	192150GS	SPACER
7	*	PPHMS, #6-32 x 3/8"
8	193159GS	DECAL, Reinstall After
9	197279GS	CONTROL, Board
10	201685GS	SPACER
11	196094GS	GROUND LUG
12	*	WASHER, Lock 1/4"
13	192597GS	DECAL, Utility, 240 VAC
14	*	NUT, 1/4" - 20
15	192696GS	TERMINAL, Neutral
16	B4857GS	FUSE
17	192151GS	FUSE HOLDER
18	197355GS	CLIP, Latching Wire
20	196355GS	DECAL, CT Warning
21	197294GS	DECAL, Contacts Rating
23	196522GS	DECAL, 100A, ATS
25	205395GS	DECAL, Warning Shock
26	190984GS	DECAL, Fuse
27	B4986GS	DECAL, Ground
28	197198GS	DECAL, Wire Circuits
29	192165GS	DECAL, APPVD CB

Items Not Illustrated

195728GS CURRENT TRANSFORMER

* - Items without part numbers are common fasteners and are available at local hardware stores.